

# HNC-500LT Series Hall Current Sensor

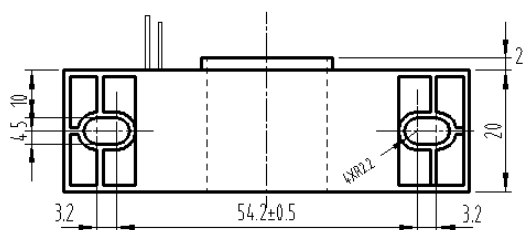
## Introduction

HNC-500LT Series Hall current transducer is the new generation product based on Hall effect. It is able to measure DC, AC, pulse and other currents with irregular waves under the condition of electrical isolation.

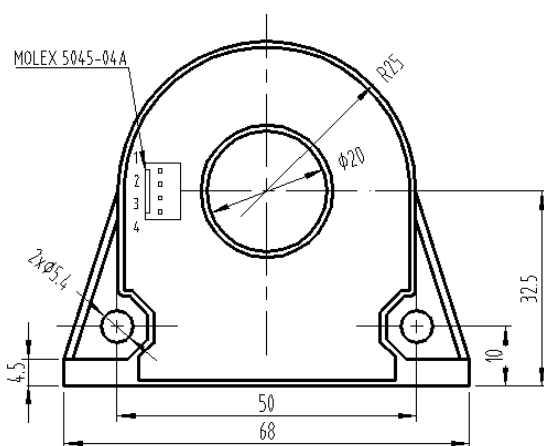
## △Electrical Parameters (Ta=25°C)

Type		HNC-100LT	HNC-300LT	HNC-400LT	HNC-500LT
Parameters	Symbols				
Nominal measuring current	$I_{PN}$	100A	300A	400A	500A
Linear range	$I_P$	0~±150A	0~±450A	0~±600A	0~±750A
Nominal output current	$I_{SN}$	50mA±0.8%	150mA±0.5%	100mA±0.5%	125mA±0.5%
Coil resistance	$R_i$	25Ω	25Ω	60Ω	60Ω
Recommended load resistance	$R_M$	45~250Ω	10~62Ω	8~60Ω	2~50Ω
Zero offset current	$I_O$	±0.2mA			
Temperature drift of bridge offset	$I_{OT}$	Type ±0.2mA Max ±0.6mA			
Linear error	$\xi_L$	±0.2%			
Response time	$T_r$	≤1 μS			
Supply voltage	$V_C$	±15V±5%			
Isolation voltage	$V_d$	2.5KV/50 or 60Hz/1min			
Power dissipation current	$I_C$	(18+Is) mA			
Frequency bandwidth	$f$	DC~100KHz(-3dB)			
Operating temperature	$T_a$	-25°C~+85°C			
Storage temperature	$T_s$	-40°C~+90°C			

## △Dimension: (mm)



Bottom view



Front view



## Features:

- ◆ Use close-loop current transducer based on Hall effect
- ◆ Adopt UL94V-0-recognized insulated casing
- ◆ Flexible mounting
- ◆ Low power consumption
- ◆ Punching way has no insertion loss
- ◆ High immunity against external disturbance

## Applications:

- ◆ AC variable-frequency speed control system and servo motor
- ◆ Uninterruptible power supply (UPS)
- ◆ Switched-mode power supply
- ◆ Power supply for electric welding machine
- ◆ Communication power supply

## Instructions for Use:

- ◆ Connect the wire of transducer in correct way as required.
- ◆ Inputting measured current from punched core of transducer, the in-phase current signal can be obtained from output end by sampling.

## Connection and adjustment:

- ◆ 1: +Vc (+15V)
- ◆ 2: -Vc (-15V)
- ◆ 3: Output
- ◆ 4: NC